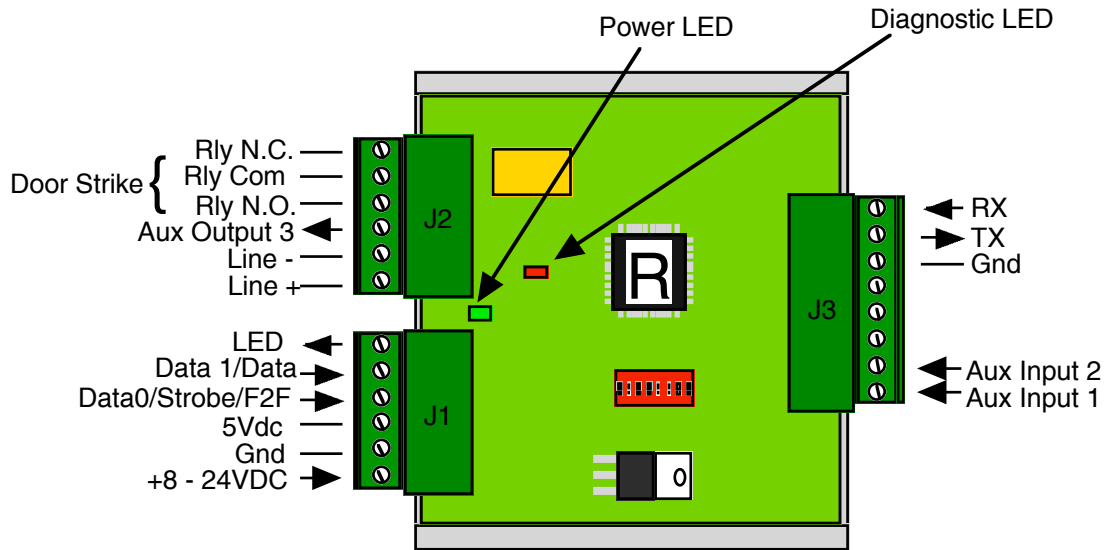
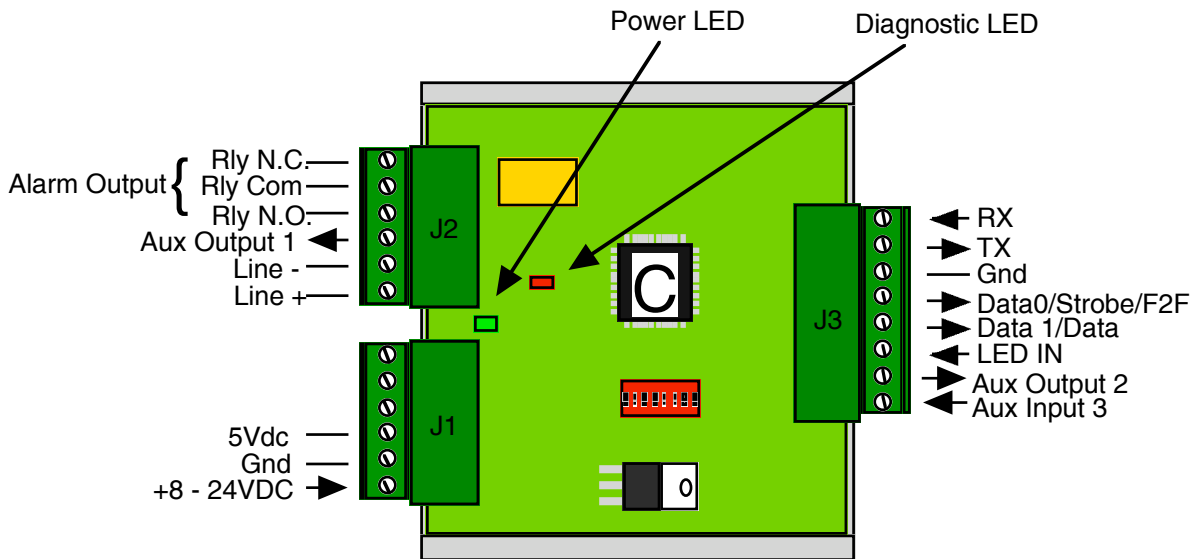


# CYPRESS SUPREX SPX-1200

## Connector Terminal Identification- Quick Reference



**Suprex 1200 Remote Unit**



**Suprex 1200 Central Unit**

### FCC Part 15 COMPLIANCE

This device complies with part 15 of the FCC Rules.

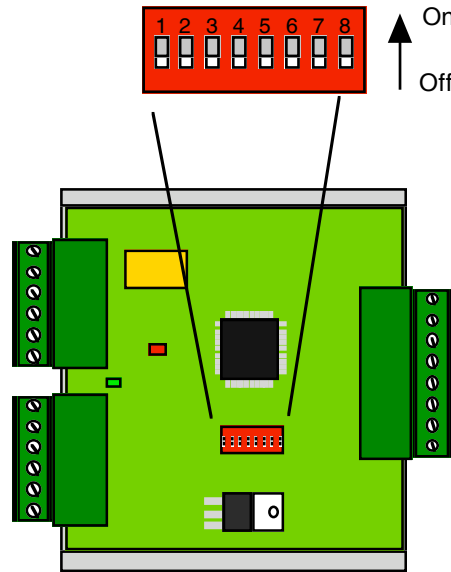
Operation is subject to the following two conditions:

- (1) This device may not cause harmful interference, and
- (2) this device must accept any interference received, including interference that may cause undesired operation.

SPX-1200 v1.04

# CYPRESS SUPREX SPX-1200

## DIP Switch Settings- Quick Reference



Refer to Suprex 1200 Manual for detailed information on settings and connections

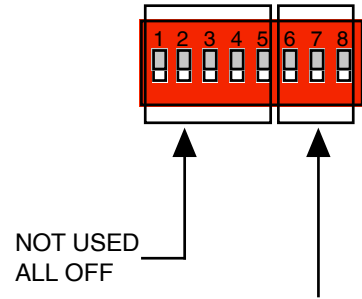
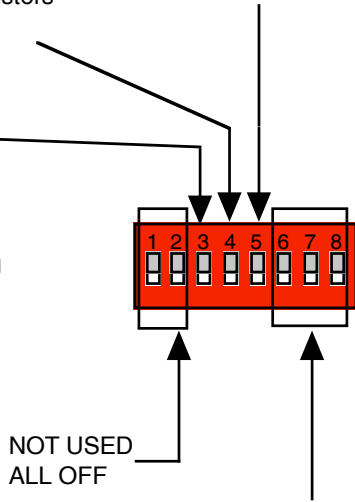
Dip switch #4 is ON  
-Disable Pullup resistors

Dip switch #4 is OFF  
-Enable Pullup resistors

Dip switch #5 is ON  
**Door Strike relay does NOT follow LED**  
(Auxiliary setting)

Dip switch #3 is OFF  
-Normal Operation

Dip switch #3 is ON  
-Alternate Relay Setting



	Switch		
	6	7	8
Wiegand 0			
Wiegand / No Filter		x	
Strobed Rising Edge (MR-5)	2	x	
Strobed Rising Edge (Dorad0 644)	3	x	x
Strobed Rising (Mag-Tek)	4	x	
Strobed Falling Edge	5	x	x
Reserved	6	x	x
F2F	7	x	x

x = ON

	Switch		
	6	7	8
Wiegand 0			
Wiegand / No Filter			x
Strobed Rising Edge (MR-5)	2	x	
Strobed Rising Edge (Dorad0 644)	3	x	x
Strobed Rising (Mag-Tek)	4	x	
Strobed Falling Edge	5	x	x
Reserved	6	x	x
F2F	7	x	x

x = ON

### CENTRAL Dip Switch Settings

### REMOTE Dip Switch Settings