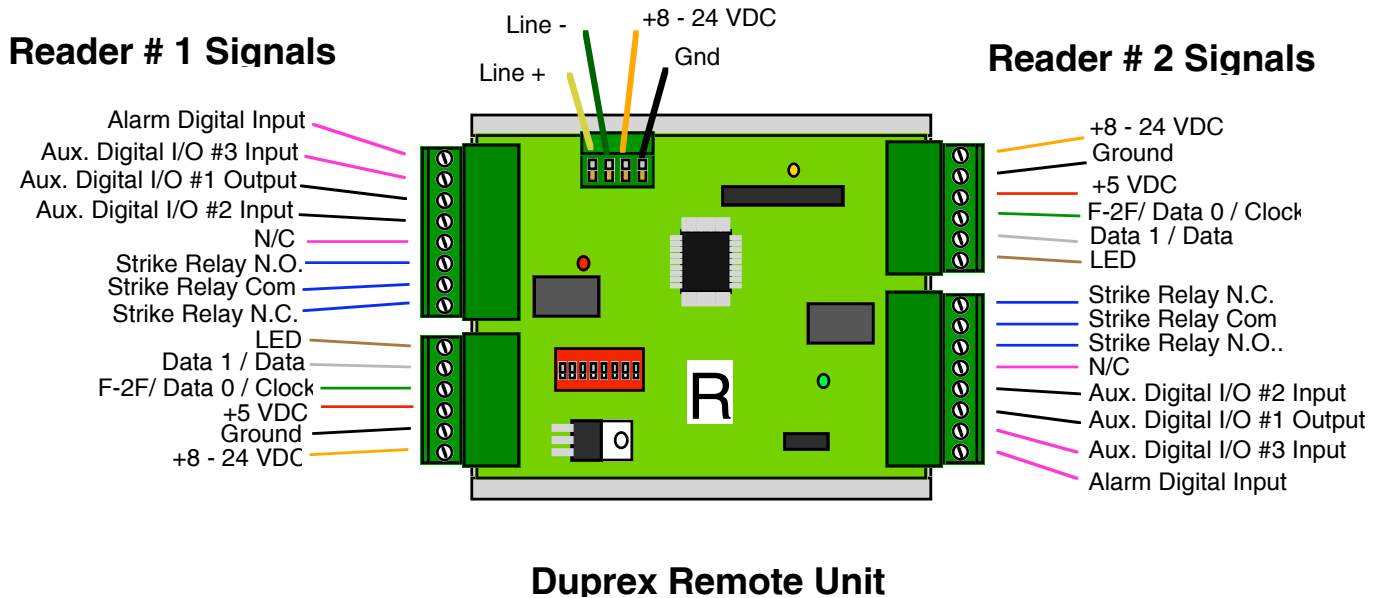
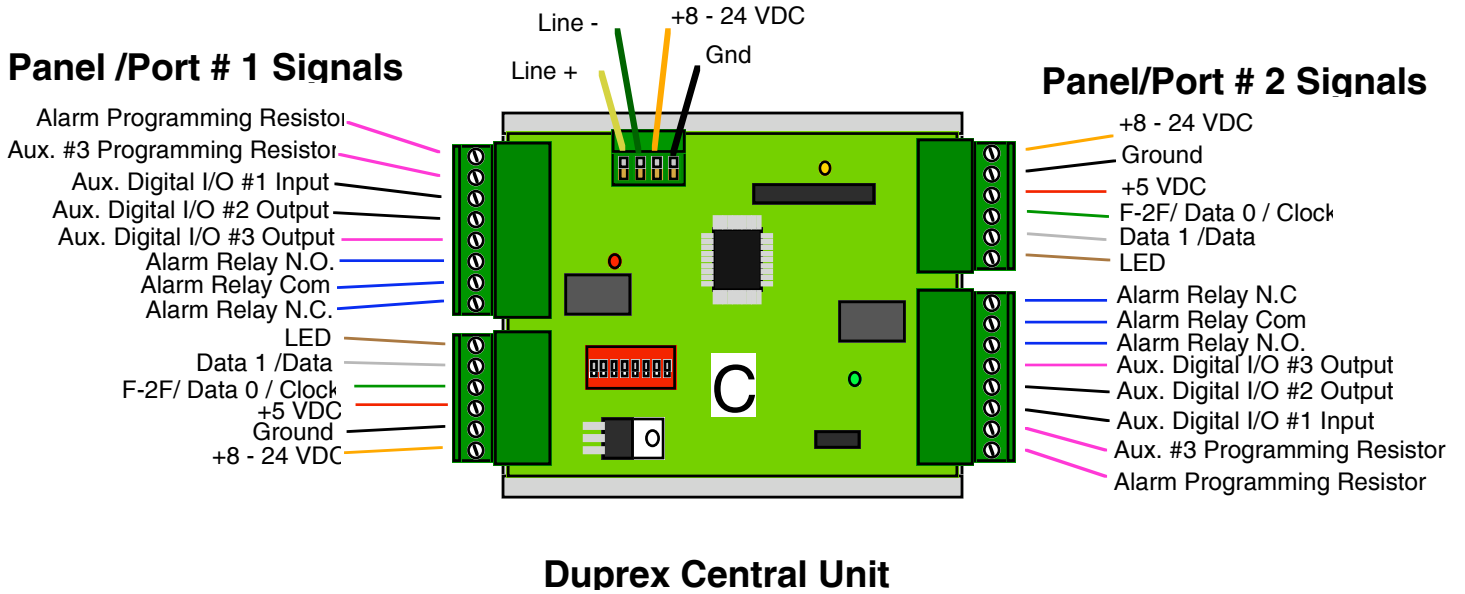


# DPX-7000

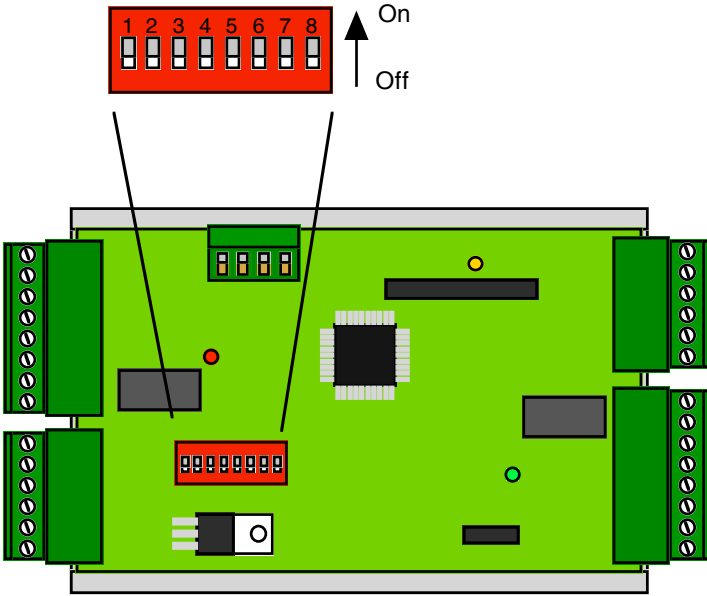
## Connector Terminal Identification- Quick Reference



WD-FA-DPX-7000 v106

# DPX-7000

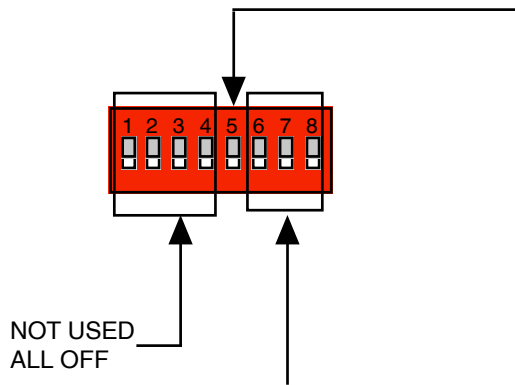
## DIP Switch Settings- Quick Reference



**CENTRAL UNIT ONLY**

Dip switch #5 is ON: Alternate IO Assignment

- a. Door Strike relay does NOT follow LED (Auxiliary setting, will follow Digital Input #1)
- b. Alarm Relay and Digital Output #3 swap functions.



	Switch			
	6	7	8	
Wiegand 0				
Wiegand / No Filter			x	
Strobed Rising Edge (MR-5)	x			x = ON
Strobed Rising Edge (Dorado 644)	x	x		
Strobed Rising (Mag-Tek)	x			
Strobed Falling Edge	x		x	
Reserved	x	x		
Unsupervised F/2F	x	x	x	

**FCC Part 15 COMPLIANCE**

This device complies with part 15 of the FCC Rules. Operation is subject to the following two conditions: (1) This device may not cause harmful interference, and (2) this device must accept any interference received, including interference that may cause undesired operation.

All settings except Switch 5 are the same for Central and Remote units.