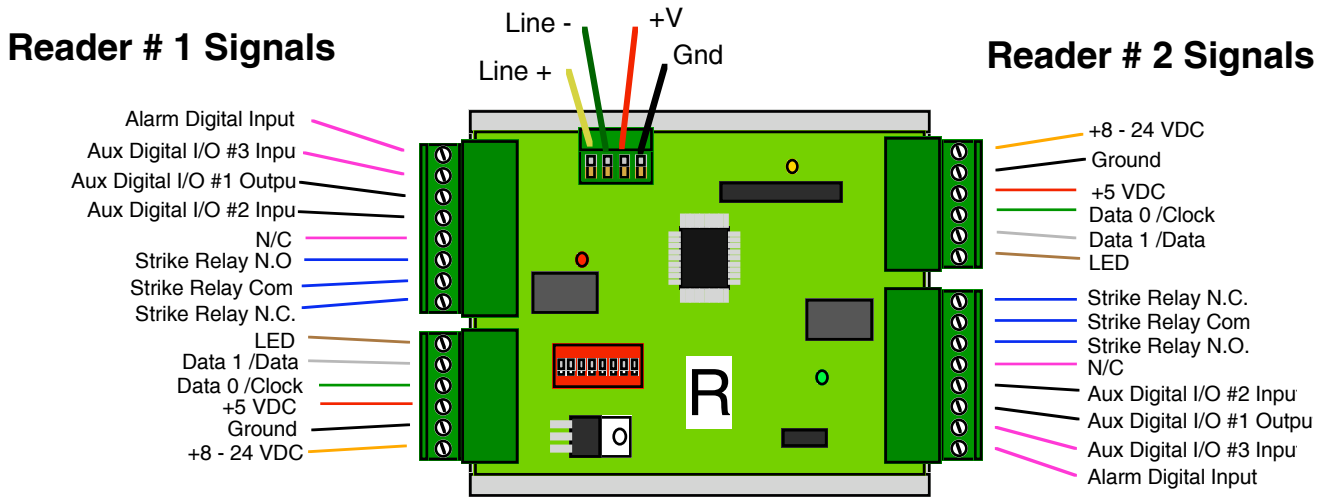
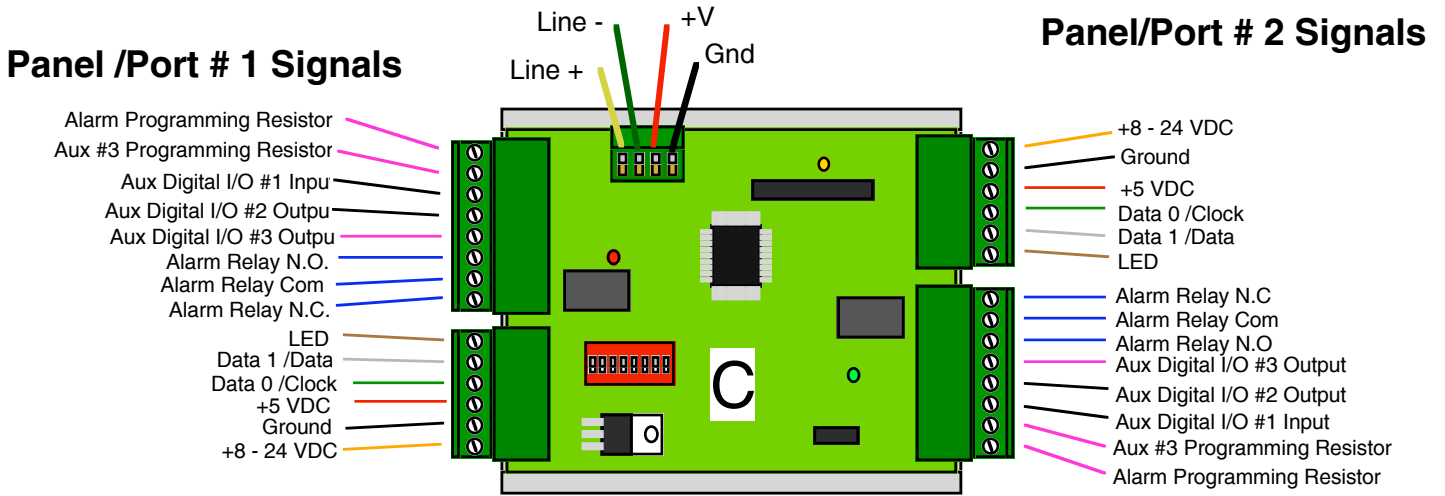


Duprex RF Series Wiring Diagram

Connector Terminal Identification- Quick Reference

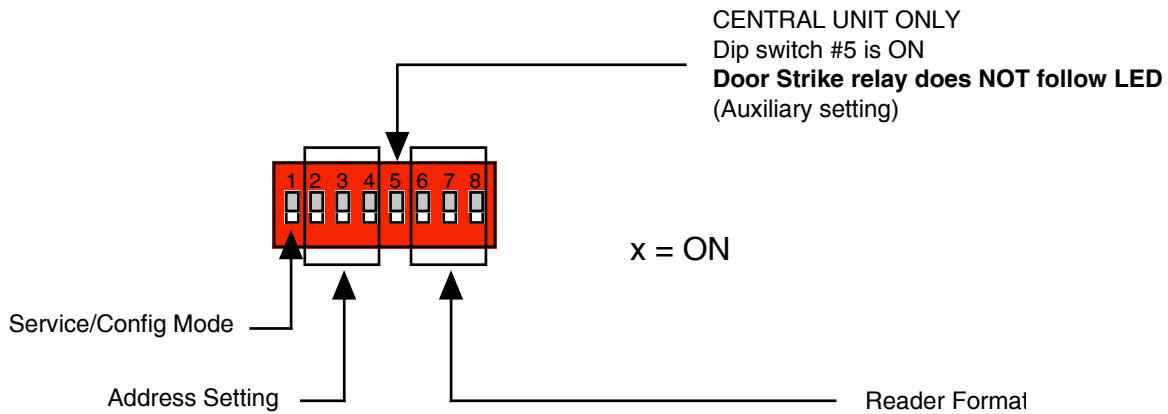
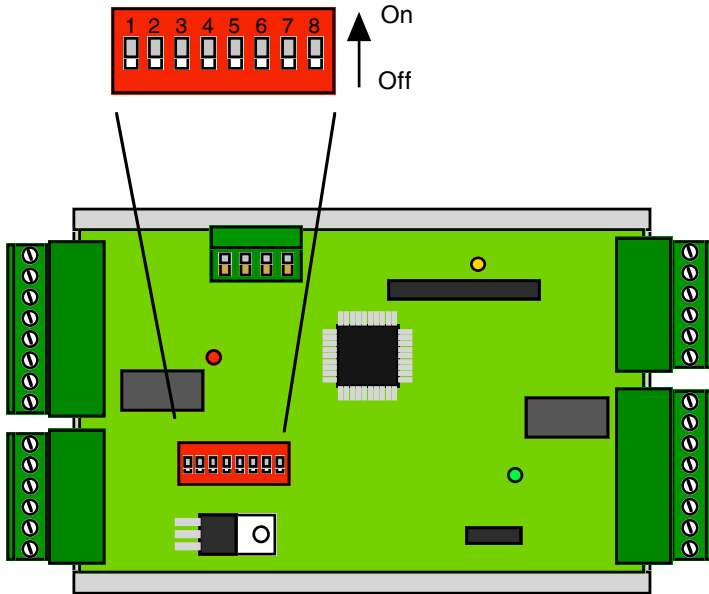


FCC Part 15 COMPLIANCE

This device complies with part 15 of the FCC Rules. Operation is subject to the following two conditions: (1) This device may not cause harmful interference, and (2) this device must accept any interference received, including interference that may cause undesired operation.

Duprex RF Series Wiring Diagram

DIP Switch Settings- Quick Reference



Channel Address	Switch 2	Switch 3	Switch 4	Switch 6	Switch 7	Switch 8
0				Wiegand	0	
1			x	Wiegand / No Filter	1	x
2		x		Strobed Rising Edge (MR-5)	2	x
3		x	x	Strobed Rising Edge (Dorad0 644)	3	x x
4	x			Strobed Rising (Mag-Tek)	4	x
5	x	x		Strobed Falling Edge	5	x x
6	x	x		Reserved	6	x x
0	x	x	x	Reserved	7	x x x

All settings except Switch 5 are the same for Central and Remote units.